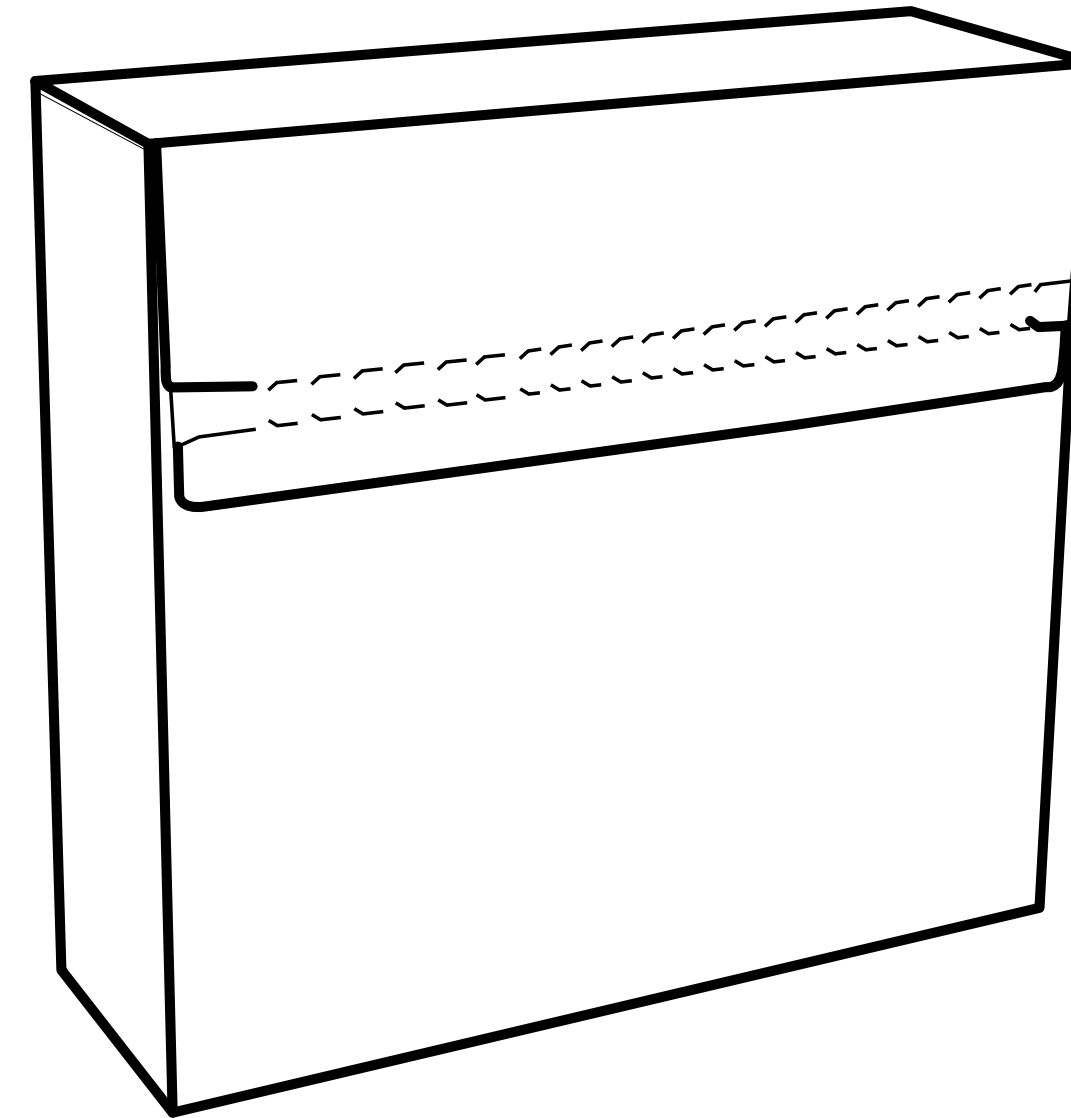


***FLEXI-HEX***<sup>®</sup>

→ **Data sheet - Triple Fold Top Box**



## Overview

A square-shaped box for shipping two bottles. We recommend using the Flexi-Hex Mini Sleeve for naked bottles and the Flexi-Hex Air 35cm Sleeve for pre-boxed bottles.

## Details

- Designed for the safe shipping of three bottles
- Fits bottles of all shapes and sizes up to a maximum of 350mm in height, including pre-boxed bottles
- Made from high-quality paper
- 100% plastic-free, kerbside recyclable, home compostable and biodegradable
- Self-sealing with crash-lock base so no tape required
- Separate layer pad which slots into bottom of box for extra protection
- Unique fold which tucks over bottles to prevent movement within the box and can be adjusted to fit wider bottles and pre-boxed bottles
- Tear strip for easy opening
- Prevents movement and reduces breakage rates through innovative engineering
- Compact to store and lightweight for cost-effective shipping and storage
- Can be customised with company branding
- An aesthetic e-commerce solution which adds brand value and improves the customer unboxing experience
- Also available in single, double, four and six box sizes

## Product Information

### NAME

Flexi-Hex® Triple Fold Top Box

### SKU

FOL-BOX-003

## Specification

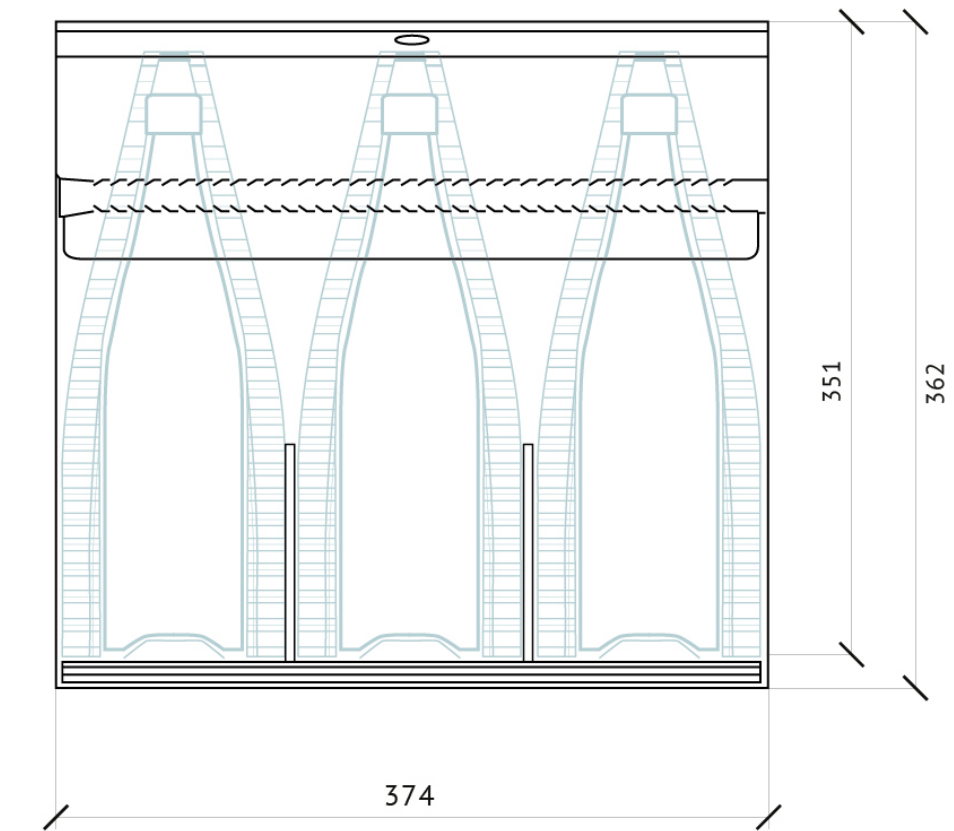
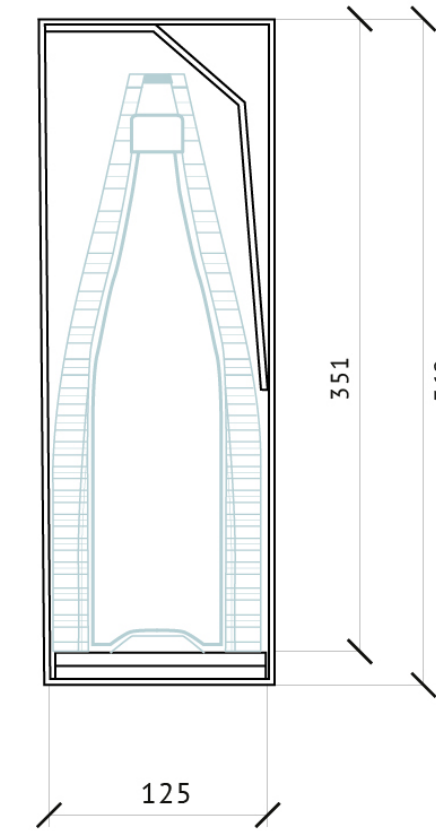
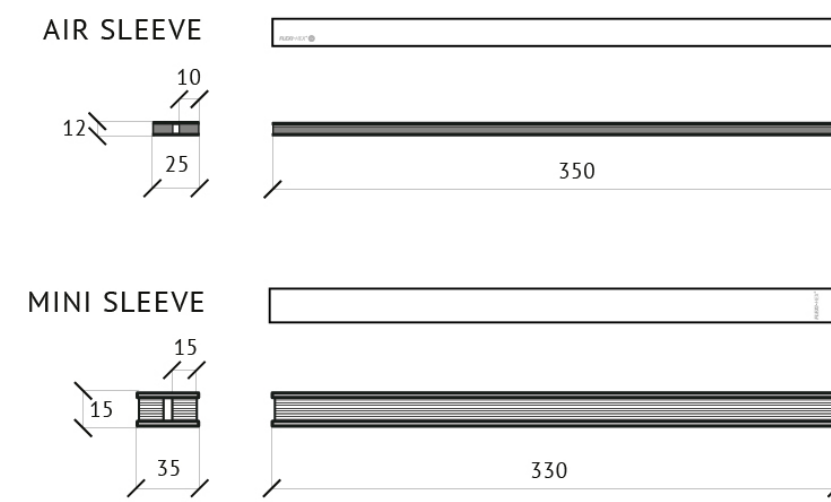
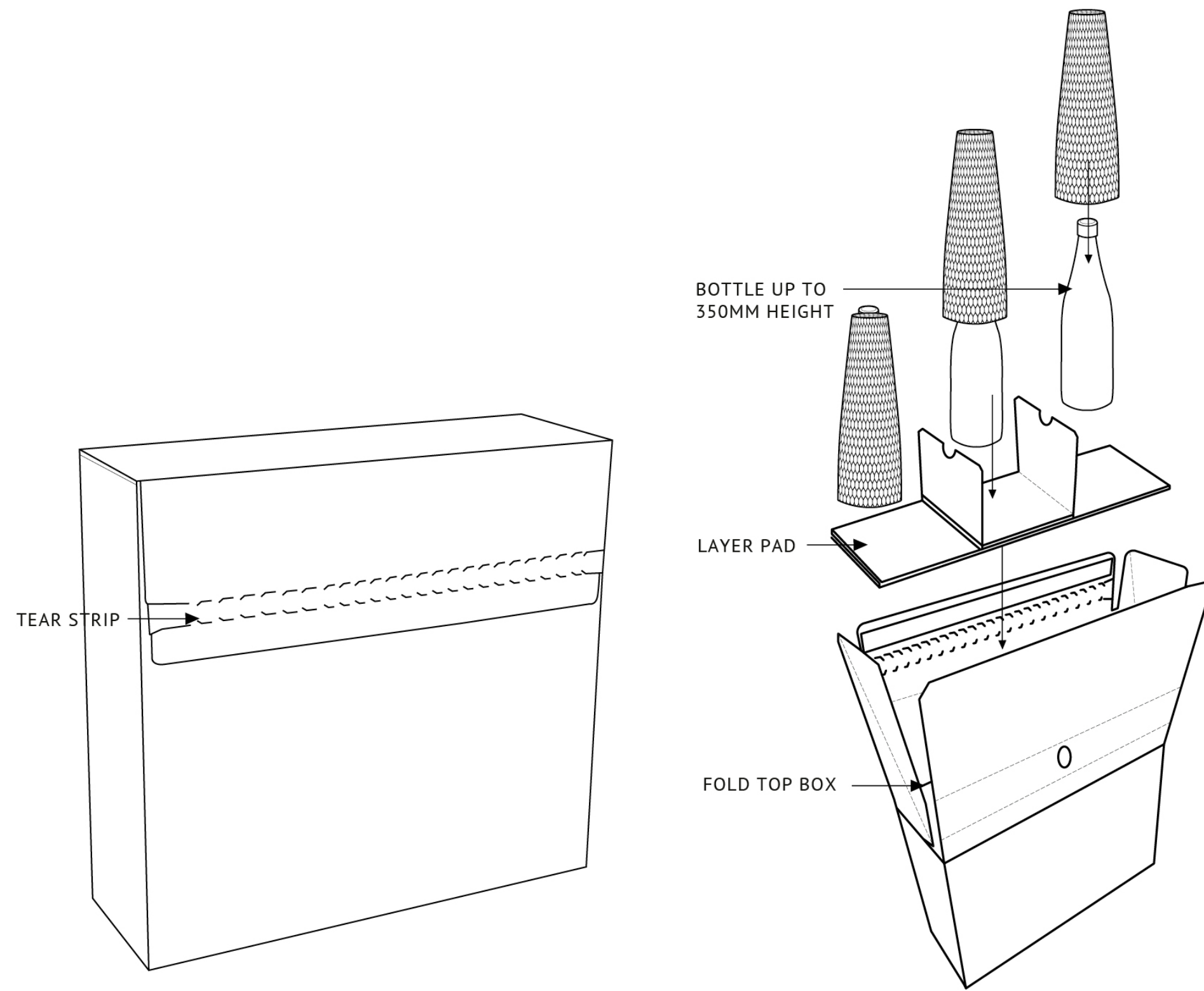
	WEIGHT	QTY PER BOX
<b>BOX DIMENSIONS</b>		
362mm H x 374mm W x 125mm D	400g	
<b>MINI SLEEVE UNIT (3X)</b>		
330mm L x 35mm W x 15mm H	135g SU	100pcs
<b>35CM AIR SLEEVE UNIT (3X)</b>		
350mm L x 25mm W x 12mm H	60g	600pcs
<b>BUNDLE QTY</b>	TBC	

## Material

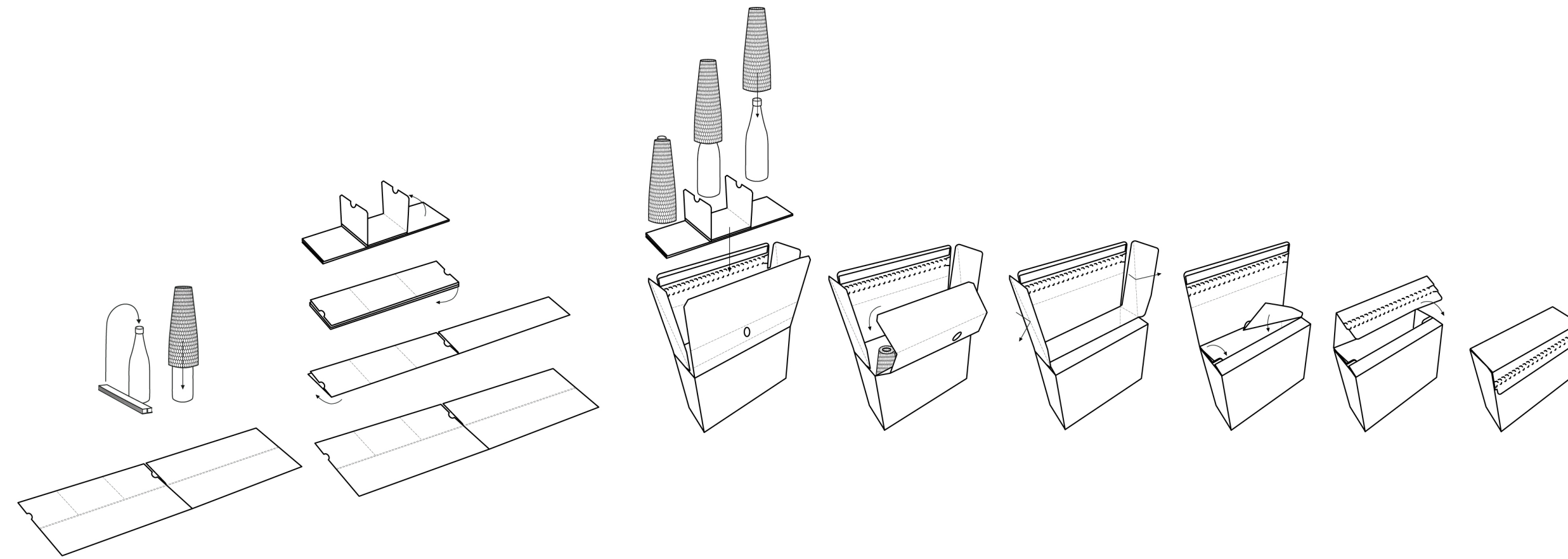


Sleeve: Recycled cardboard, recyclable and biodegradable 85% recycled content  
Box: B-Flute

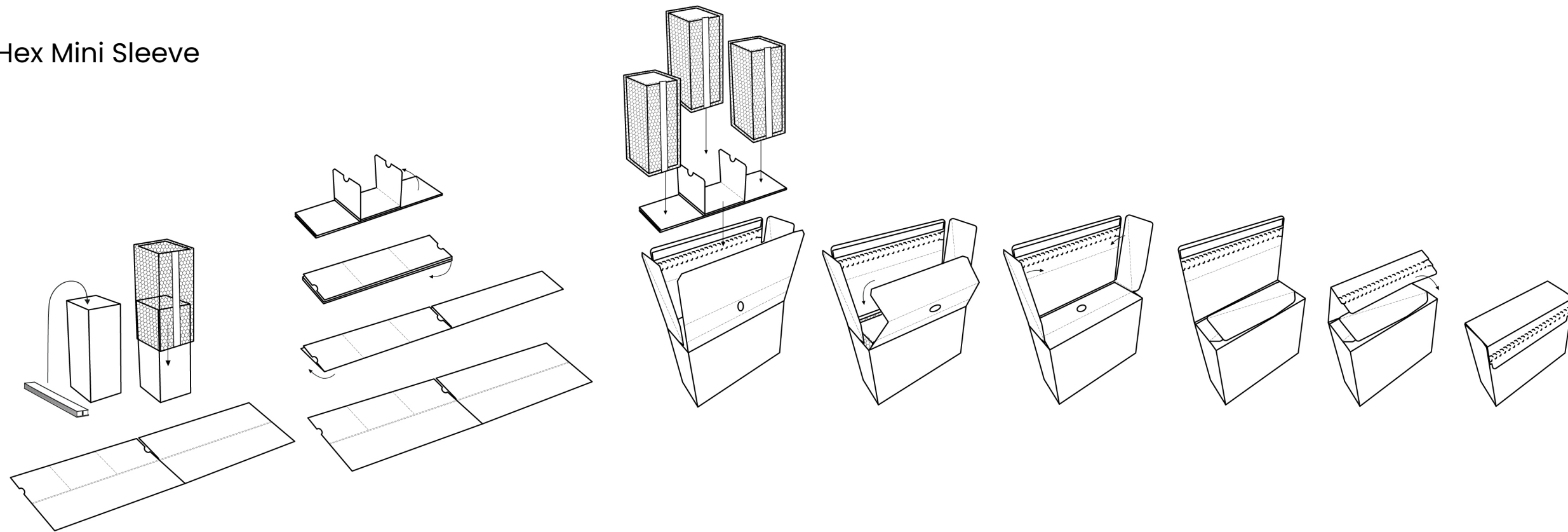
**DATA SHEET - TRIPLE FOLD TOP**



**DATA SHEET - TRIPLE FOLD TOP**



**Flexi-Hex Mini Sleeve**



**Flexi-Hex Air Sleeve**

**DATA SHEET - TRIPLE FOLD TOP**

