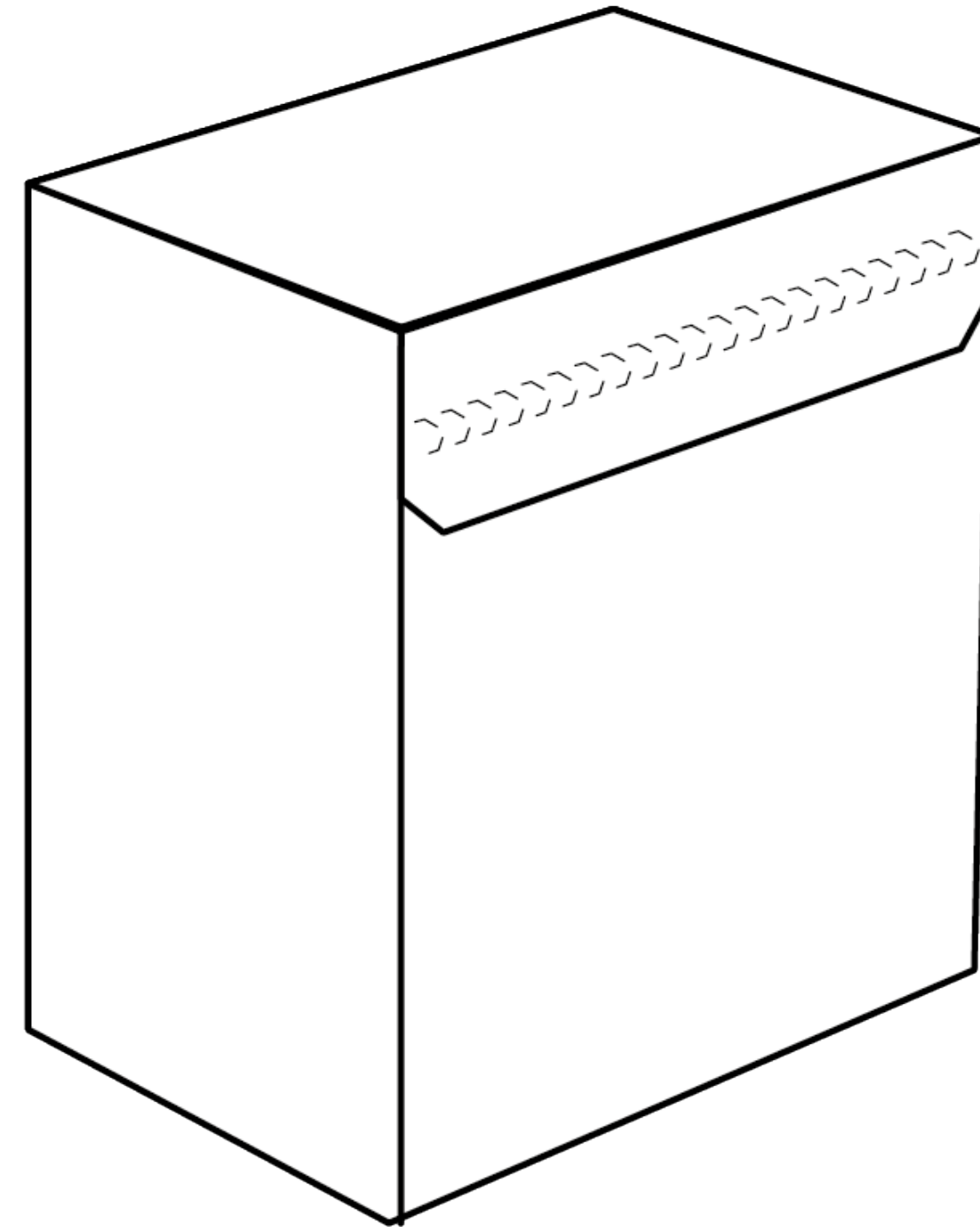


***FLEXI-HEX***<sup>®</sup>

→ **Data sheet - 6 Bottle Box**



## Overview

A self-sealing box (including separate base insert) designed for the safe shipping of 6 bottles, each individually wrapped in Flexi-Hex.

## Details

- Fits bottles of all shapes and sizes up to a maximum of 350mm in height
- Made from high-quality paper
- 100% plastic-free, kerbside recyclable, home compostable and biodegradable
- Self-sealing box with crash-lock base so no tape required
- Tear strip for easy opening
- Quick and easy to assemble
- The base insert creates a compartment for each individual bottle to prevent movement and reduce breakage rates
- Compact to store and lightweight for cost-effective shipping and storage
- Can be customised with company branding
- An aesthetic e-commerce solution which adds brand value and improves the customer unboxing experience
- This solution also requires 6 Flexi-Hex Mini Sleeves
- 4 other sizes available: single, double, triple and 4 bottle box

## Product Information

### NAME

Flexi-Hex® 6 Bottle Box  
Flexi-Hex® 6 Bottle Box Insert

### SKU

FOL-BOX-006  
FOL-BOX-006-INS

## Specification

	WEIGHT	QTY PER BOX
<b>BOX DIMENSIONS</b>		
375mm H x 230mm W x 350mm D	624g	
<b>MINI SLEEVE UNIT (6X)</b>		
330mm L x 35mm W x 15mm H	135g SU	100pcs
<b>35CM AIR SLEEVE UNIT (6X)</b>		
350mm L x 25mm W x 12mm H	60g	600pcs
<b>BUNDLE QTY</b>	TBC	

## Pallet info

### DIMENSIONS

1200mm x 800mm

### WEIGHT

125Kg

### QTY

240

## Performance

### CRUSH TEST (SLEEVE)

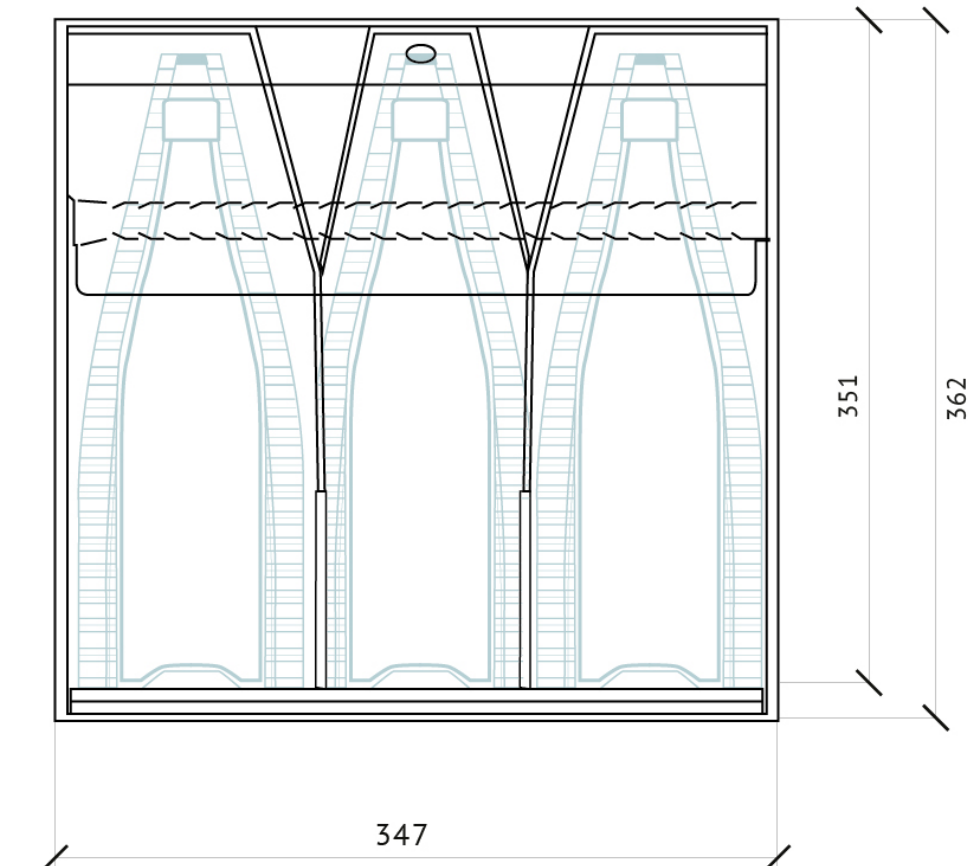
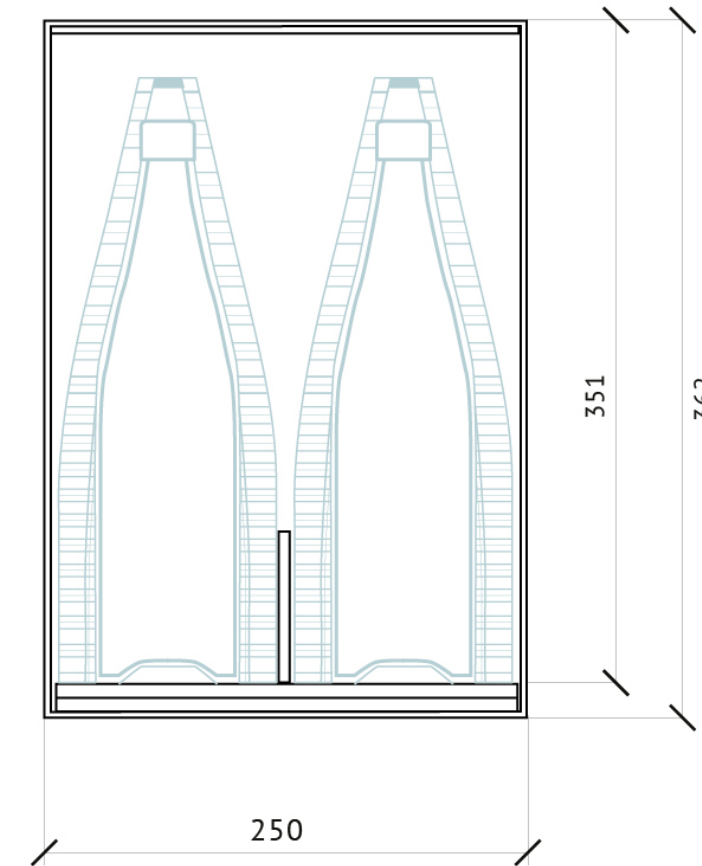
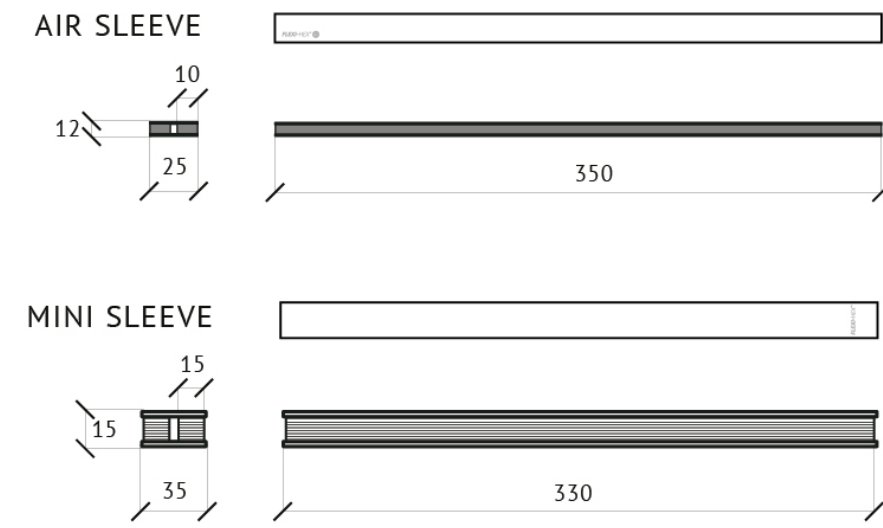
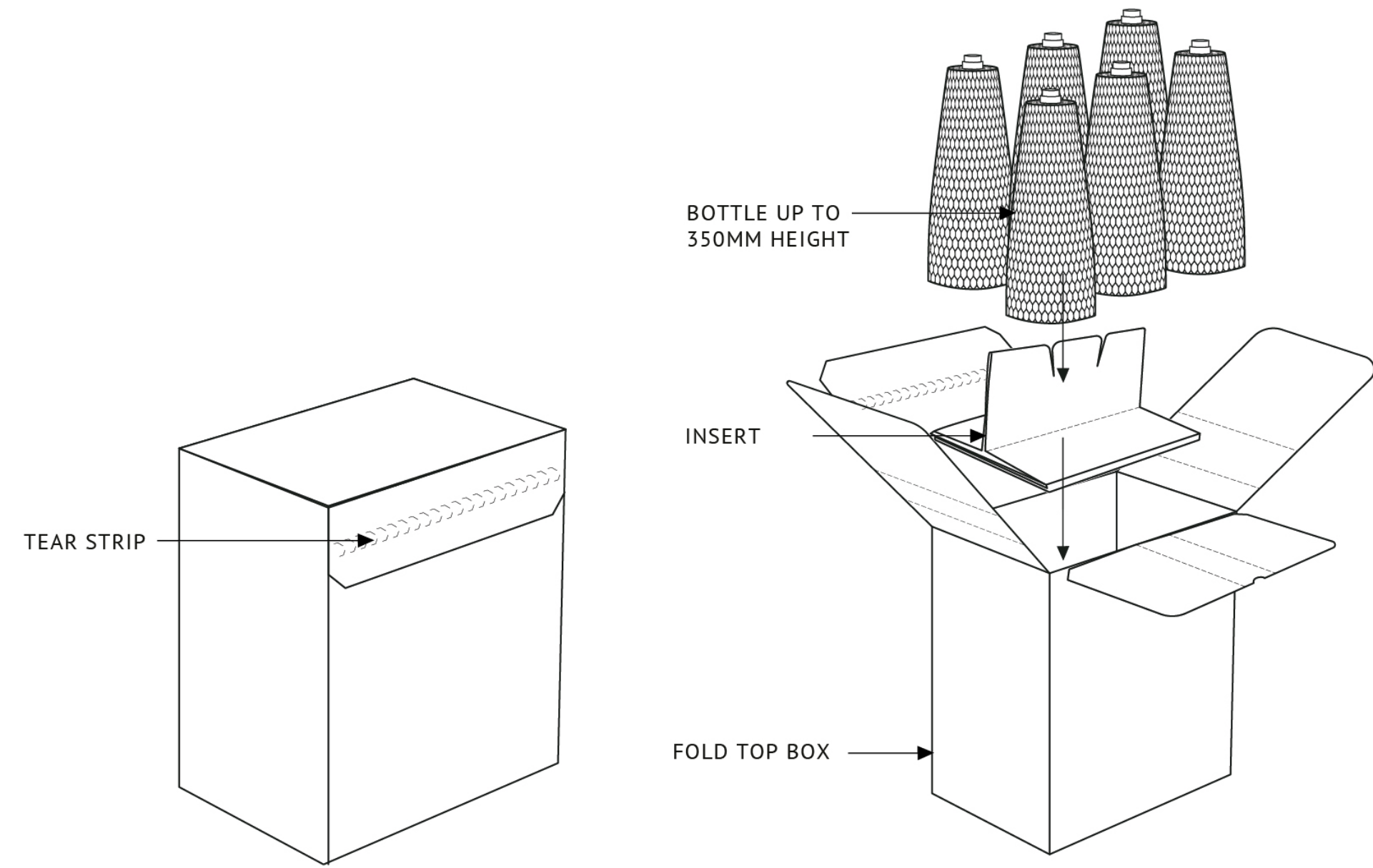
Test follows procedure outlined DIN EN 23035, 09/1994  
At 23°C, 50% RH collapsing of the cells was on average 229kPa.  
At 40°C, 90% RH collapsing of the cells was on average 147kPa.

## Material

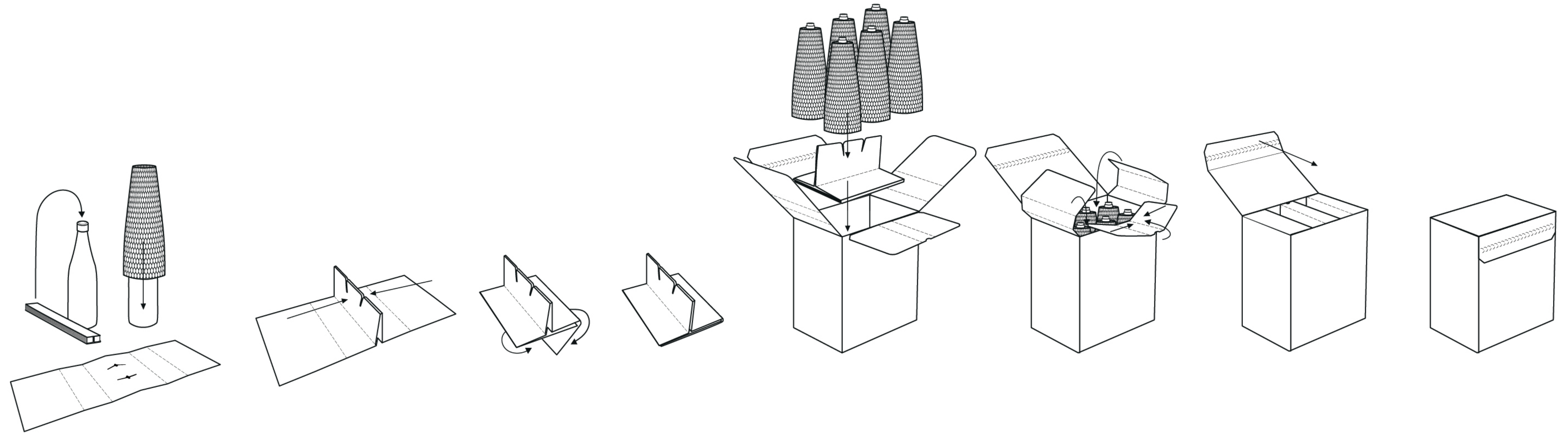


Sleeve: Recycled cardboard, recyclable and biodegradable 85% recycled content  
Box: B-Flute

**DATA SHEET - 6 BOTTLE BOX**



**DATA SHEET - 6 BOTTLE BOX**



**DATA SHEET - 6 BOTTLE BOX**

